

CASH® Special  
CASH® Special Concussion  
CASH® Special XL

## Spare parts list and diagram



©2018 Frontmatec Accles & Shelvoke Ltd



DO NOT ATTEMPT TO USE THESE STUNNING TOOLS UNTIL  
YOU HAVE READ AND UNDERSTOOD THE USER MANUAL

ONLY EVER USE GENUINE ACCLES & SHELVOKE REPLACEMENT PARTS. NOT USING GENUINE PARTS MAY LEAD TO PREMATURE COMPONENT AND TOOL FAILURE, WHICH COULD ENDANGER THE OPERATOR AND THOSE IN THE IMMEDIATE VICINITY. IT WILL ALSO INVALIDATE OUR ORIGINAL EQUIPMENT WARRANTY.

ACCLES & SHELVOKE WILL ACCEPT NO LIABILITY IF ANY COMPONENTS OTHER THAN THOSE SUPPLIED BY ACCLES & SHELVOKE ARE USED WITH OUR ORIGINAL EQUIPMENT. THE RESULTANT LIABILITY WILL BE WITH THE END USER OR THE DISTRIBUTOR WHO SUPPLIED THE UNAPPROVED REPLACEMENT PARTS.

FIG. 11.01

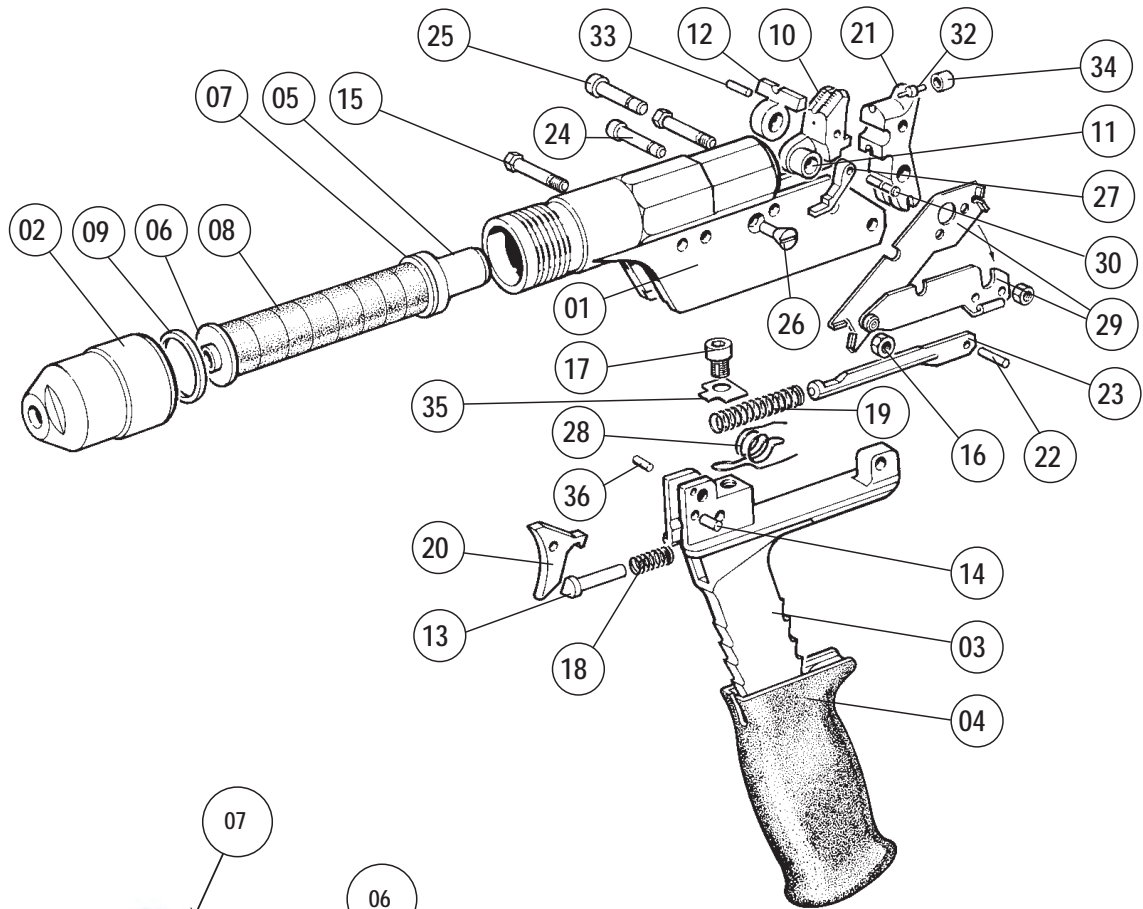
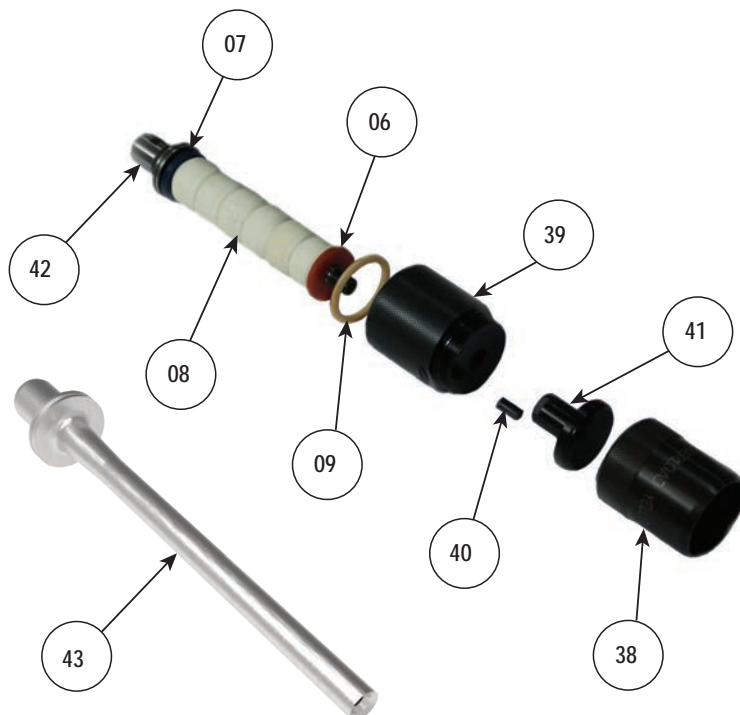


FIG. 11.02



CONCUSSION HEAD ASSEMBLY  
 FOR CONCUSSION TOOLS

ONLY EVER USE GENUINE ACCLES & SHELVOKE REPLACEMENT PARTS. NOT USING GENUINE PARTS MAY LEAD TO PREMATURE COMPONENT AND TOOL FAILURE, WHICH COULD ENDANGER THE OPERATOR AND THOSE IN THE IMMEDIATE VICINITY. IT WILL ALSO INVALIDATE OUR ORIGINAL EQUIPMENT WARRANTY.

ACCLES & SHELVOKE WILL ACCEPT NO LIABILITY IF ANY COMPONENTS OTHER THAN THOSE SUPPLIED BY ACCLES & SHELVOKE ARE USED WITH OUR ORIGINAL EQUIPMENT. THE RESULTANT LIABILITY WILL BE WITH THE END USER OR THE DISTRIBUTOR WHO SUPPLIED THE UNAPPROVED REPLACEMENT PARTS.

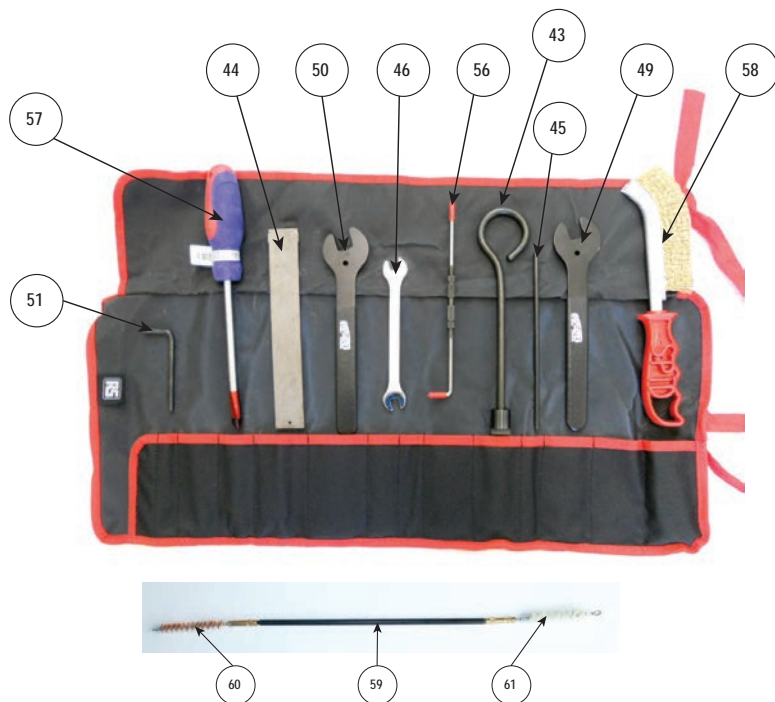
ITEM NO.	PART DESCRIPTION	QTY PER SET	SPARE PART BY PRODUCT CODE									IF ORDERING AN ASSEMBLY FOR SPARES INCLUDES ITEMS LISTED BELOW	
			CASH® Special .22R	CASH® Special .22HD	CASH® Special .25	CASH® Special .25R R	CASH® Special .25R HD	CASH® Special .25R HL	CASH® Special Concussion .22	CASH® Special Concussion .25	CASH® Special XL .25R		
			4100R	4000	4121	4121R	4121HD	4121HL	4002	4122	4200		
1	Barrel assembly	1	4105R	4030	4123	4123R	4123R	4123R	4105R	4123R	4337	Includes 12, 26	
2	Muzzle	1	4120	4120	4120	4120	4103M	4103L	N/R	N/R	4328		
3	Handle	1	4116										
4	Handle grip	1	4117									4325	Includes item 36
5	Bolt	1	4118	4024	4118	4118	4102MM	4102L	N/R	N/R	4329		
6	Stop washer	1	5369	5369	5369	5369	4040	4040	5369	5369	4040		
7	Flange washer - blue	1	5403										
8	Recuperator sleeve	As stated	5376x8	5376x8	5376x8	5376x8	5376x8	5376x9	5376x8	5376x8	5376x9		
9	Barrel washer	1	4115										
10	Firing block assembly	1	4139									Includes item 32, 33, 34	
11	Firing block bush	1	4140										
12	Extractor	1	4141	4141	4143	4143	4143	4143	4143	4143	4143		
13	Trigger plunger	1	4145										
14	Trigger axis pin	1	4146										
15	Handle barrel bolt	2	4147										
16	Nut	2	4159										
17	Spring screw	1	4148										
18	Trigger spring	1	4149										
19	Sear rod spring	1	4150	4012	4150	4012	4012	4012	4150	4012	4012		
20	Trigger	1	4151										
21	Hammer	1	4152	4010	4152	4010	4010	4010	4010	4010	4010		
22	Sear rod end pin	1	4153	4016	4153	4016	4016	4016	4153	4016	4016		
23	Sear rod assembly	1	4154	4018	4154	4018	4018	4018	4154	4018	4018	Includes item 22	
24	Firing block pivot	1	4156										
25	Hammer pivot	1	4157										
26	Extractor stop screw	1	4158										
27	Pawl	1	4160										
28	Extractor spring	1	4161										
29	Locking plate assembly	1	4164										
30	Pawl pivot	1	4165										
31	Firing pin assembly*	1	4166*										
32	Firing pin	1	4167										
33	Firing pin pivot	1	4168										
34	Back bush	1	4170										
35	Lock washer	1	4171										
36	Trigger stop	1	4179										
37	Concussion head assembly*	1	N/R	N/R	N/R	N/R	N/R	N/R	4315	4310	N/R	Includes item 6, 7, 8, 9, 38, 39, 40, 41, 42	
38	Muzzle extension	1	N/R	N/R	N/R	N/R	N/R	N/R	4312	4300	N/R		
39	Muzzle	1	N/R	N/R	N/R	N/R	N/R	N/R	4301	4301	N/R		
40	Collar spring	1	N/R	N/R	N/R	N/R	N/R	N/R	5631	5631	N/R		
41	Concussion head	1	N/R	N/R	N/R	N/R	N/R	N/R	4304	4304	N/R		
42	Bolt	1	N/R	N/R	N/R	N/R	N/R	N/R	4305	4305	N/R		
43	Bolt render	1	N/R	N/R	N/R	N/R	4121MH	N/R	N/R	N/R	4329		

N/R - This component not used on the tool stated. \* - Not shown as an assembly in the exploded diagram on previous page # - Cone spanners - Items 49 and 50 on next page - are also included when ordering a concussion head assembly

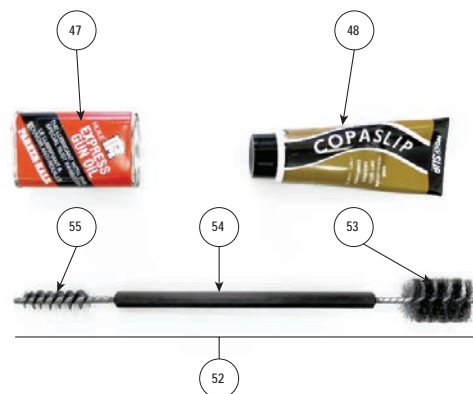
**CASH® Special • CASH® Special Concussion • CASH® Special XL**  
**SPARE PARTS LIST AND DIAGRAM**
**FRONTMATEC**  
 accles & SHELVOKE

ONLY EVER USE GENUINE ACCLES & SHELVOKE REPLACEMENT PARTS. NOT USING GENUINE PARTS MAY LEAD TO PREMATURE COMPONENT AND TOOL FAILURE, WHICH COULD ENDANGER THE OPERATOR AND THOSE IN THE IMMEDIATE VICINITY. IT WILL ALSO INVALIDATE OUR ORIGINAL EQUIPMENT WARRANTY.

ACCLES & SHELVOKE WILL ACCEPT NO LIABILITY IF ANY COMPONENTS OTHER THAN THOSE SUPPLIED BY ACCLES & SHELVOKE ARE USED WITH OUR ORIGINAL EQUIPMENT. THE RESULTANT LIABILITY WILL BE WITH THE END USER OR THE DISTRIBUTOR WHO SUPPLIED THE UNAPPROVED REPLACEMENT PARTS.

**SPARES FOR TOOL MAINTENANCE AND CLEANING**


THESE SPARES ARE AVAILABLE FROM ACCLES & SHELVOKE USING THE CODE LISTED IN THE TABLE BELOW



Part no.	Description	Qty per set	Item no.*
4107	Breech cleaner	1	43
4191	Undercut cleaner	1	44
4119	Push rod	1	45
4136	Spanner (for handle and barrel nuts)	1	46
4187	Pistol oil*	1	47
4192	Copaslip thread grease*	1	48
4306	14 mm cone spanner	1	49
4307	16 mm cone spanner	1	50
4173	Hex wrench (for extractor spring screw)	1	51
4121 K7	Barrel/muzzle brush consists of	1	52
5645	Barrel brush head	1	53
5647	Handle for brush	1	54
5662	Muzzle brush head	1	55
4121 K8	Pick	1	56
4121 K9	Manual extractor	1	57
4121 K10	Hand brush	1	58
5900	Brush and mop handle	1	59
5901	.22" chamber brush - .22" calibre only	1	60
5902	.25" chamber brush - .25" calibre only	1	60
5903	.22" chamber mop - .22" calibre only	1	61
5904	.25" chamber mop - .25" calibre only	1	61
6076	Young's 303 fluid*	1	not shown

\*Product data sheets are available upon request